

Bano mirrors

Care & maintenance/ mounting instructions



BANO AS

Administrasjon / Logistikk / Lager
Utstillingsplassen 3
6823 Sandane

Telefon: +47 57 86 98 00
post@bano.no

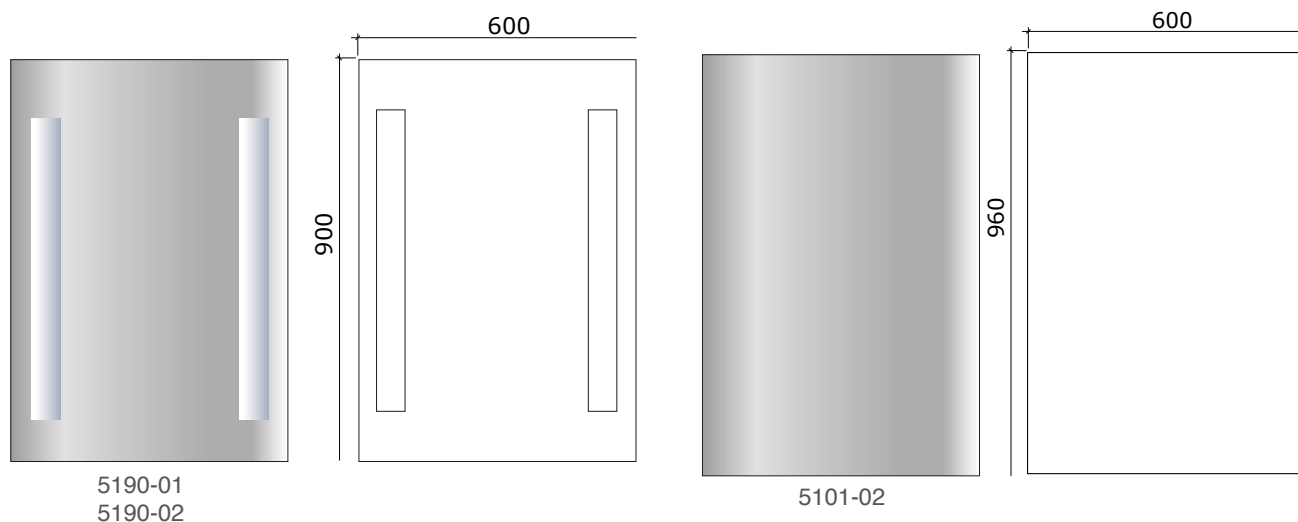
Designed for care

www.bano.co.uk

5190-01 Bano mirror with LED lights 3000k / 60 x 600 x 900 mm

5190-02 Bano mirror with LED lights 4000k / 60x 600 x 900 mm

5101-02 Bano mirror 4 x 600 x 960 mm



Material specification

- **5190-01 and 5190-02:** 4 mm clear glass with one side silver coating. The frame behind the mirror is made of powder-coated steel.
- **5101-02:** 4 mm clear glass with on side silver coating.

Care & maintenance instructions

Bano recommend regular cleaning products for mirrors and glass.
For best results you can use microfiber cloth designed for cleaning glass.
Detergents with abrasives is not recommended.

For mirrors with LED lights are expected led dioder lifetime, approximetely 30 000 hours.
Luminaires are simple to replace and are stocked by Bano as spare parts.

Spare parts number:

5192-74 3000k - LED tube 740 mm

5190-32 3000k - LED tube 320 mm

5190-74 4000k - LED tube 740 mm

5190-32 4000k - LED tube 320 mm

Thank you for taking the time to read these instructions carefully – it is time well spent!

5190-01 Bano mirror with LED lights 3000k / 60 x 600 x 900 mm

5190-02 Bano mirror with LED lights 4000k / 60x 600 x 900 mm

FIXING TO WALL



Make sure never to perforate wet walls completely. Clean the holes after drilling. Make sure to use sealant approved for application on wet walls. See illustration **A**



Please note that the product guarantee only applies when the wall and screws are dimensioned according to «Byggebransjens Våtromsnorm» and Bano interface for products mounted in Norway. For products mounted in other countries, please note that the product guarantee only applies when wall and screws are dimensioned according to national guidelines/regulations and Bano interface.

Tiled wooden wall:

Make sure never to perforate wet walls completely. Drill holes with a 10 mm drill bit through the tiles only. Clean and fill the hole with sealant approved for application on wet walls.

See illustration **A**

Tiled concrete wall:

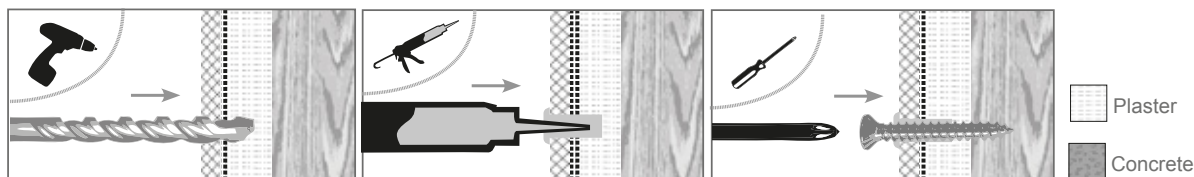
Drill holes using a 12 mm drill bit through the tiles only. Switch to a 10 mm drill bit for further drilling through the concrete. Fill the hole with sealant, place a nylon plug in the hole and fill the plug with sealant. See illustration **A**

Other wall materials (bathroom boards, vinyl):

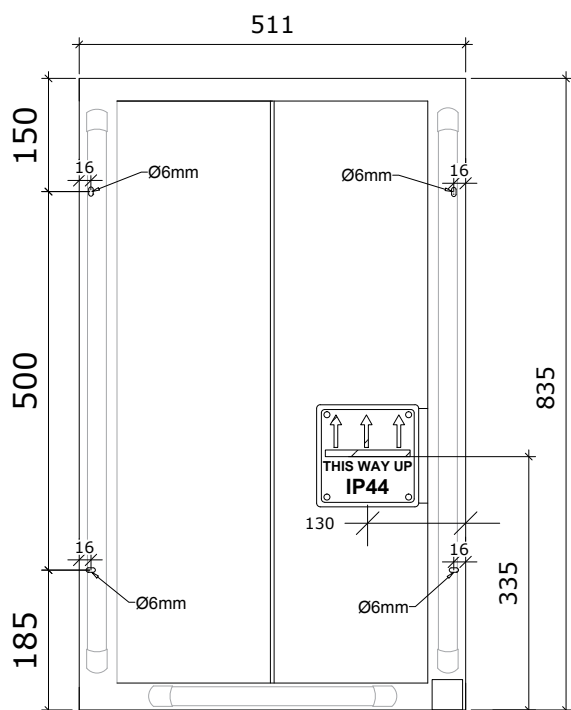
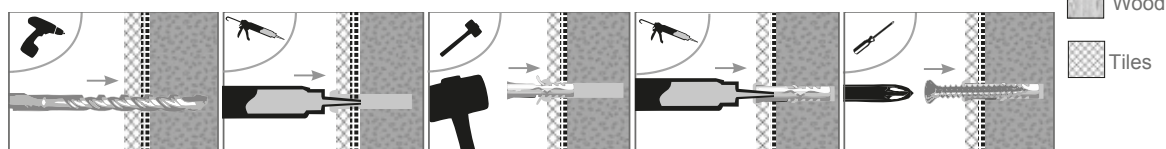
Make sure never to perforate wet walls completely. Drill holes which are dimensioned for said type of wall. Fill the hole with sealant, place a nylon plug in the hole and fill the plug with sealant.

See illustration **A**

FIXING WOODEN WALL



FIXING CONCRETE WALL



5101-02 Bano mirror 4 x 600 x 960 mm

Bano recommends to glue the mirror on the wall with Tech-7 or similar approved glues for use specifically for mirrors. The use of non-approved glues can result in damaging the mirror's reflective foil.

The glue should be applied in vertical stripes so that condensation or water does not accumulate on the back side of the mirror.

For optimal customization Bano recommends that the mirror should be mounted after other bathroom's furnishings or lighting instalation.

It is optional as well to mount the mirror with 4 standard mirror clips.



Bano recommend 7 days curing for all glued products.